

Studio™ Shower / Bath Mixers - Pin Lever Handle

This round, geometric tapware range comes in a choice of three finishes and is easy to install.



Without Diverter

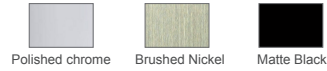


With Diverter

Features

- Easy to install.
- Hard-wearing finish.
- Suitable for mains, low and unequal pressures.

Colour/Finish



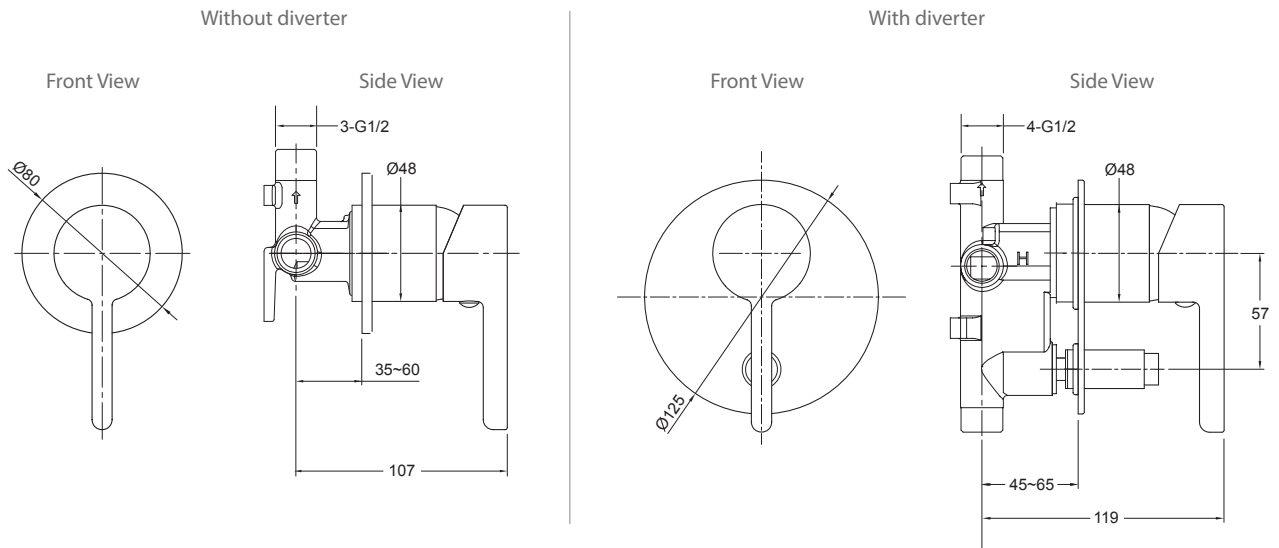
Material

Metal construction.

Included Components

- Mixer with 40mm cartridge valve.
- Trim Kit (Lever and face plate).

Technical Details



Product Codes			
Product	Polished Chrome	Brushed Nickel	Matte Black
Studio - Shower or Bath Mixer	97533A-4-CP	97533A-4-BN	97533A-4-BL
Studio - Shower & Bath Mixer - Diverter	97534A-4-CP	97534A-4-BN	97534A-4-BL



Trusted in New Zealand Since 1982

New Zealand
 133 Diana Drive, Glenfield, Auckland, New Zealand
 PO Box 100-146 NSMC, Auckland, 0745
 Ph: 0800 100 382 Fax: 0800 66 44 88
www.Englefield.co.nz

All measurements shown are in millimetres.
 Sizes are approximate.

Nov 2017
 1328653-A04-A