



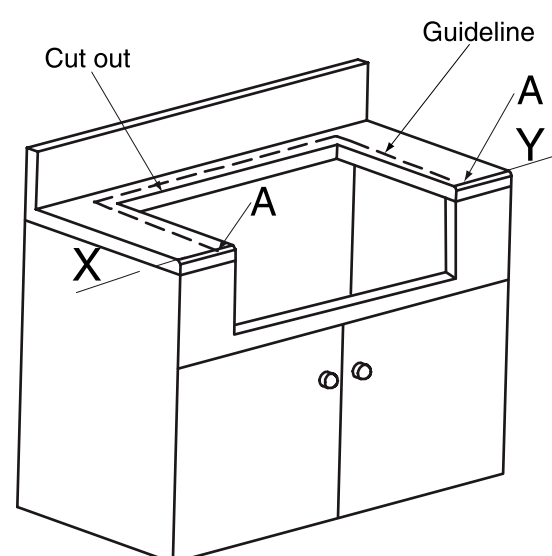
**CUT - OUT TEMPLATE
SEMI-RECESS LAVATORY**

MILANO

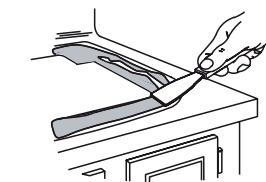
K-18072 * - * - * * - AA

Installation

- 1 Cut out template where indicated.
Fold template on dotted line and place on counter top.
Trace template using a soft lead pencil.

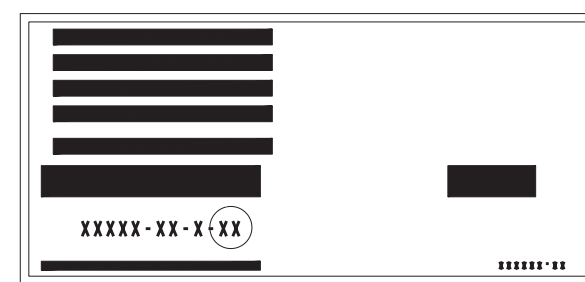


- 2 Cut out the opening in the counter top by carefully following the traced pencil line (Extra care should be used not to go below front edge).
- 3 Temporarily place the lavatory into opening and adjust to fit.
- 4 Trace a pencil line around the outside edge of lavatory.
- 5 Remove lavatory.
- 6 Apply ribbon of polyseam seal on counter top to create an even strip from guide line to the opening.



- 7 Carefully place lavatory into opening and press down firmly. Use guideline to position properly immediately remove excess polyseam seal with a damp cloth.
- 8 Connect and tighten the trap to the drain, and complete the water supply connections to the faucet according to the instructions packed with the faucet.
- 9 Run water into the lavatory and check for leaks.

PACKAGING / UPC LABEL ON BOX



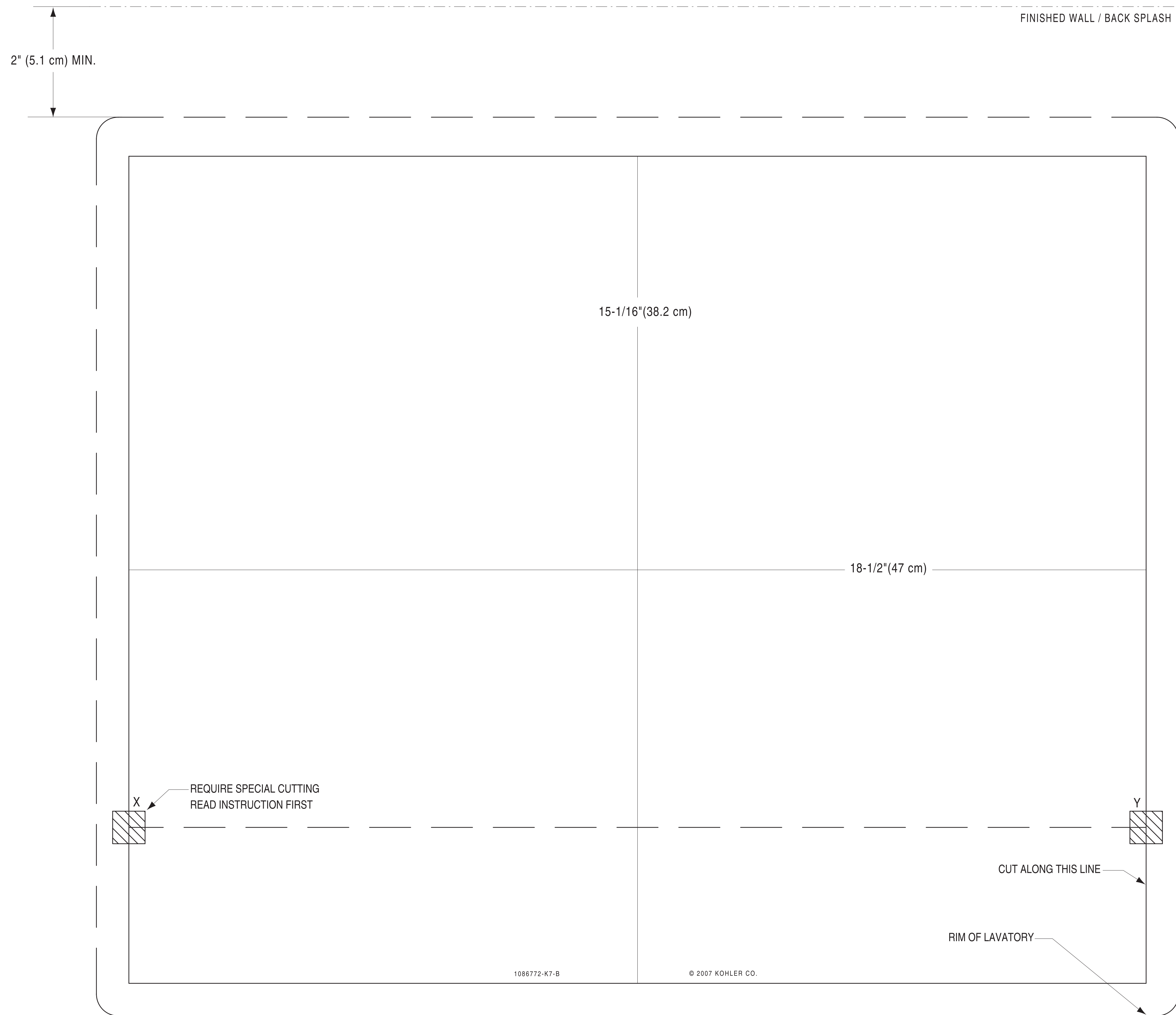
The template and the label suffixes circled must match for proper cut-out.

Australia Kohler Co.

Phone: 1300 362 284 Fax: 1300 652 284
Website: www.engagefield.com

Kohler New Zealand Ltd.

Phone: 0800 100 382 Fax: 0800 664 488
Website: www.engagefield.co.nz



WHEN PLOTTING TEMPLATE FULL SIZE:
Make sure horizontal and vertical dimensions match
the dimensions on the template.

1086772-K7-B

© 2007 KOHLER CO.