



SAPPHIRE SQUARE CORNER SLIDING SHOWER DOOR

INSTALLATION GUIDE




CAUTION


It is the responsibility of the **INSTALLER** to ensure that the installation complies with council and or local authority bylaws.


Instructions, drawings, and diagrams contained in this manual present information available at the time of printing. Although every attempt has been made to keep them up-to-date, Kohler Company reserves the right to implement product changes without further notice.


BEFORE YOU BEGIN

- Before you install your shower door, please read these instructions carefully to familiarise yourself with the required tools, materials and installation sequences.
- These instructions contain important care and cleaning information. Please leave these for the consumer after installation.
- Make sure that the shower tray and the finished wall material are completely finished prior to installing your SAPPHIRE shower door.

 **CAUTION: Risk of injury or product damage.**
Tempered glass cannot be cut.

 **CAUTION: Before commencing installation.**
KOHLER strongly recommends reading these installation instructions.

 **ATTENTION:**
Please install this door on an **ENGLEFIELD QUICK-FIT®** shower tray only.

 **IMPORTANT:**
The shower door requires a flat and vertical wall surface. The flatness is recommended to be out by no more than 4mm / m.

TOOLS AND MATERIALS REQUIRED

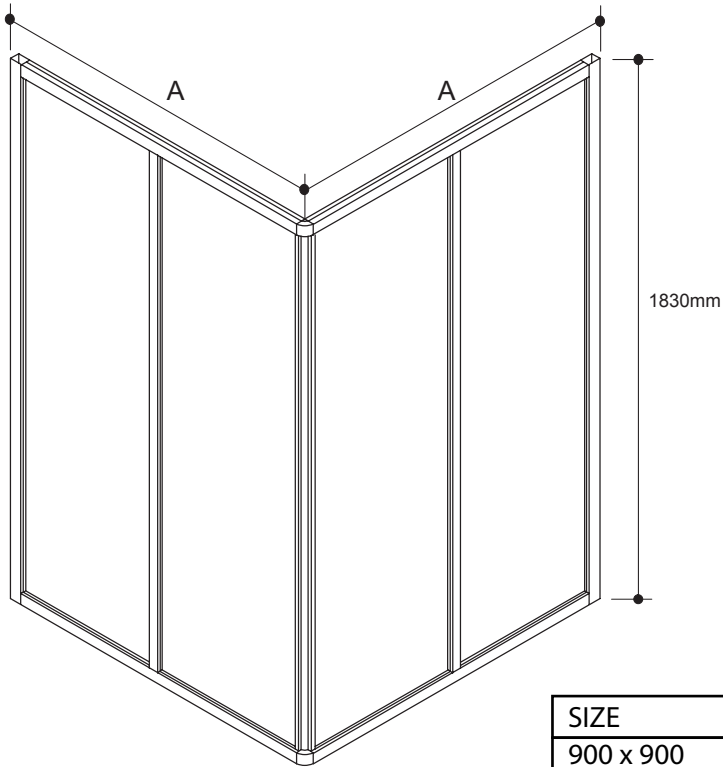
Tools Required.

Philips Screwdriver.
Pencil.
Silicone Gun.
Measuring Tape.
Safety Glasses.
Center Punch.
Hammer.
Knife.
Drill with 6mm & 3.6mm Bits.
Level.

Materials Required.

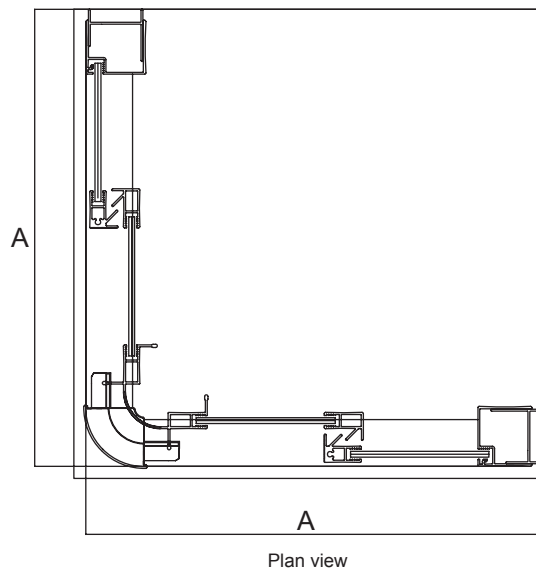
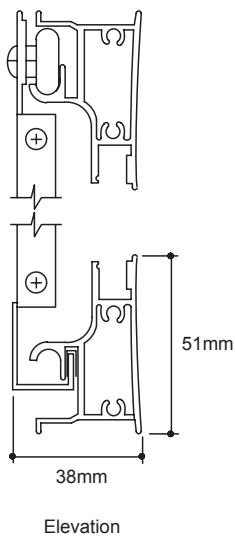
Drop Cloth.
SIKA Silaflex NG silicone sealant.

ROUGH-IN

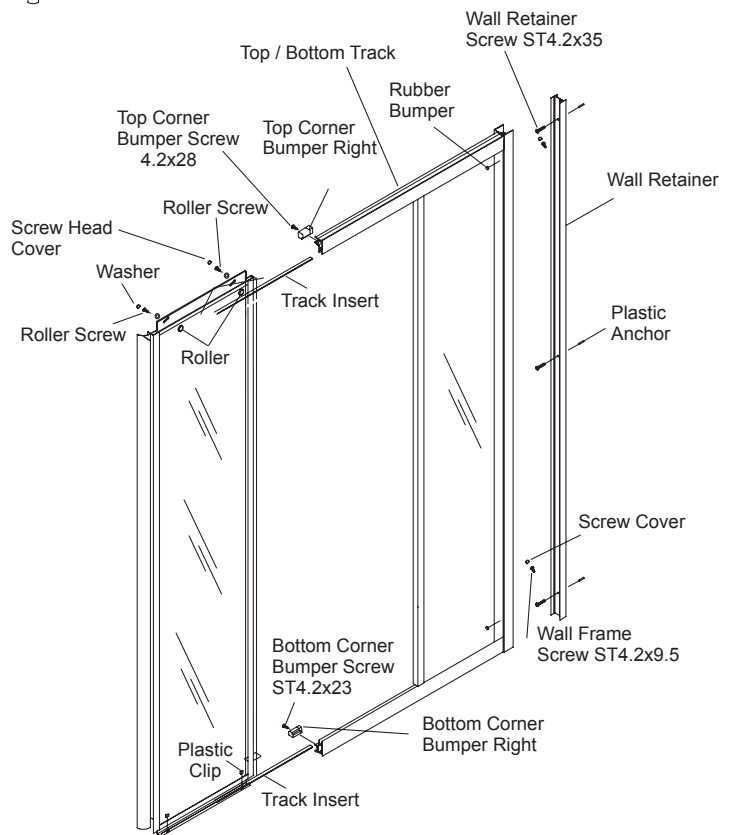
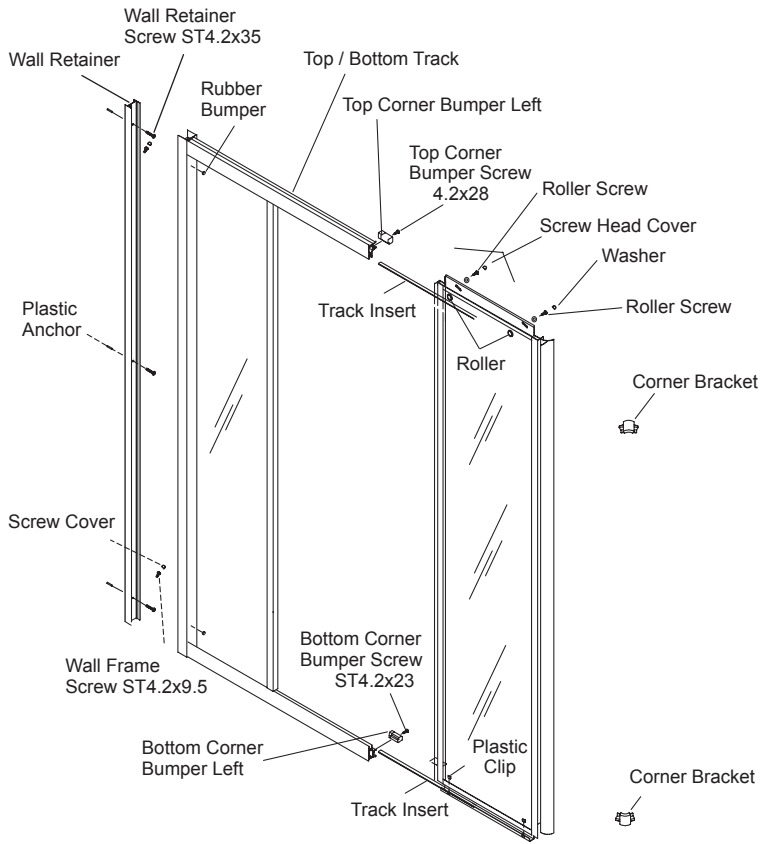


SIZE	DIMENSION 'A'	MAX. DOOR OPENING
900 x 900	873 ± 7.5mm	470mm
1000 x 1000	973 ± 7.5mm	540mm

UNIT: mm



PARTS IDENTIFICATION

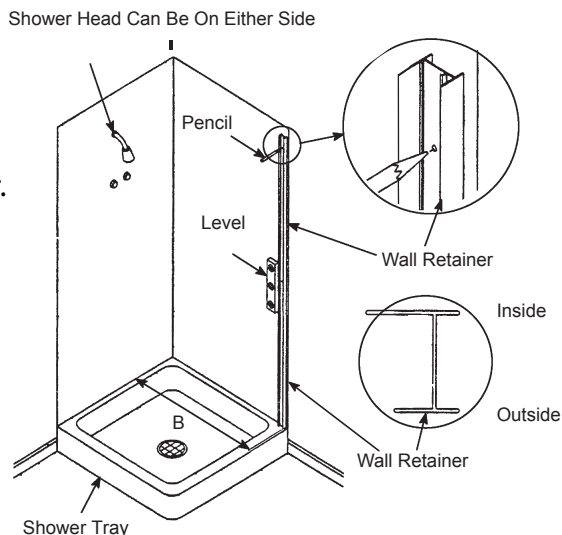


DOOR INSTALLATION

1. Marking and drilling wall retainer fixing holes

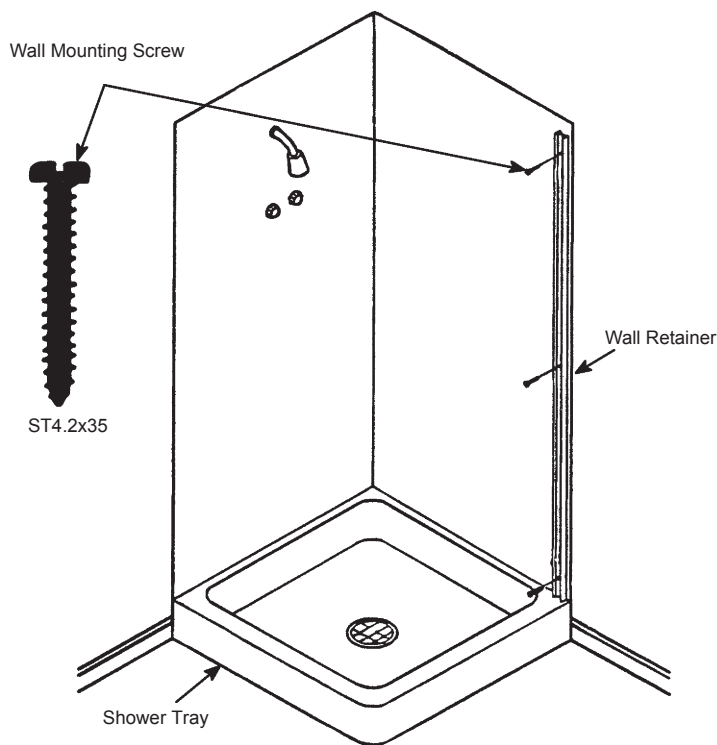
Measure and mark on the tray ledge near the wall, dimension 'B' out from the back wall. Align outside edge of wall retainer with the mark made on the tray ledge. Using a level, plumb the wall retainer and mark the three wall mounting holes with a pencil. With a center punch, lightly punch the three hole locations for the wall retainer. After drilling, thoroughly clean the tray edge and wall. Insert plastic anchors in all three holes. Repeat procedure for the other wall retainer.
NOTE: Wear Safety Glasses

SIZE	DIMENSION 'B'
900 x 900	871mm from the acrylic wall face
1000 x 1000	973mm from the acrylic wall face



2. Installing the wall retainers.

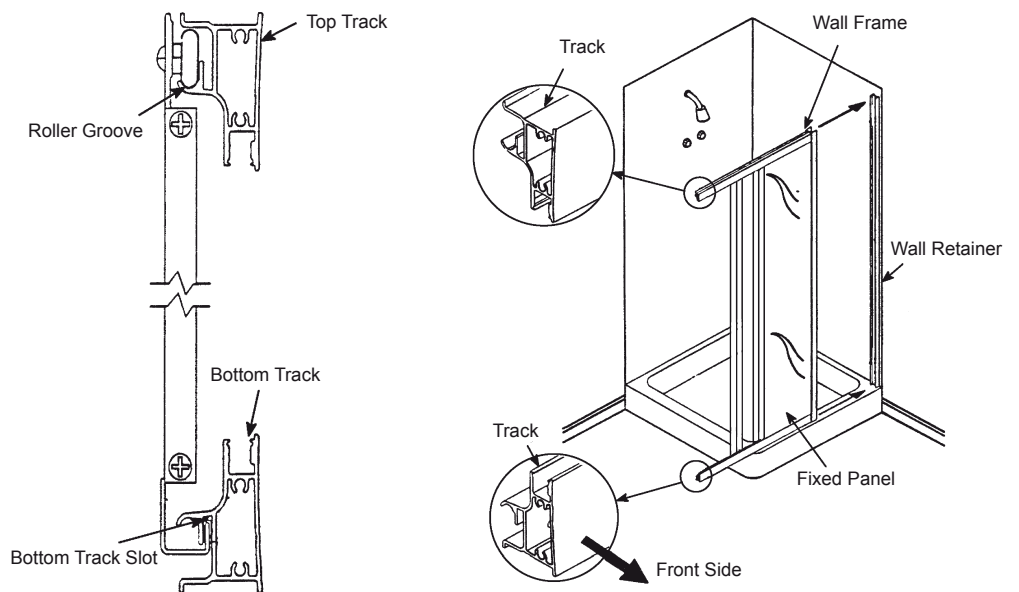
Install each wall retainer by aligning the holes in the retainer with the holes in the wall. Secure the wall retainers with 6 x ST 4.2 x 35 mm screws provided.



3. Installing Panels.

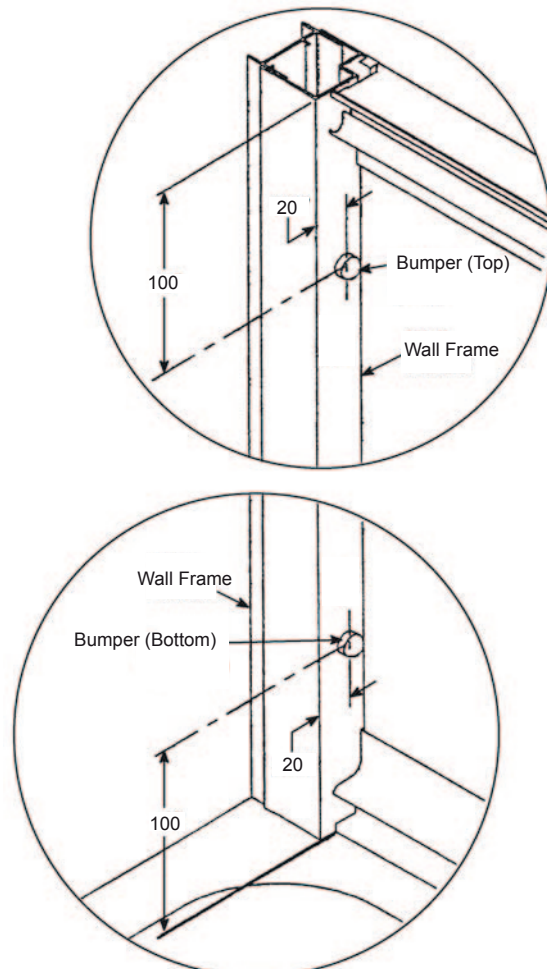
Slide the wall frame of fixed panel over the wall retainer. Rest the fixed panel on the shower tray.

CAUTION: Place the side with rolling wheels upwards.



4. Installing Bumpers

Remove paper backing from the rubber bumpers and affix two on each wall frame of fixed panel at top and bottom as shown.



5. Install Corner Brackets and Corner Bumpers.

NOTE: Corner brackets for top tracks and bottom tracks are identical. Slide one corner bracket into the cavities of the top tracks.

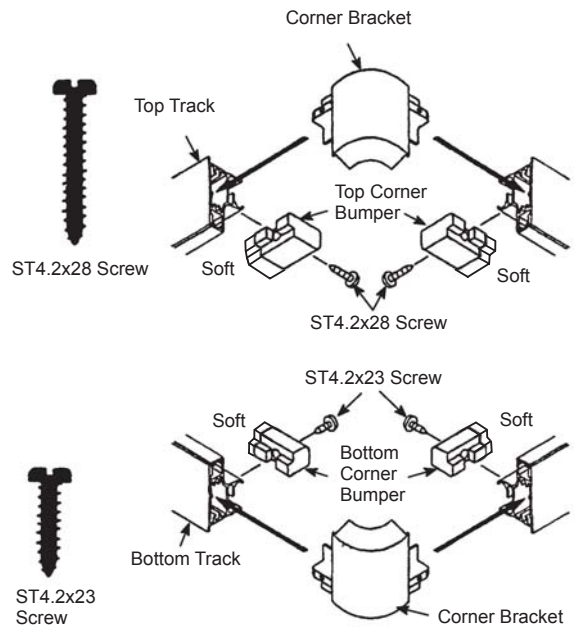
From inside the shower, place the corner bumpers marked 'T' into the top tracks as shown and align with holes in top tracks and attach the corner brackets and corner bumpers with ST4.2x2.8 screws.

NOTE: Do not overtighten screws.

Slide one corner bracket into the cavities of the bottom tracks.

From inside the shower, place the corner bumpers marked 'B' into the bottom tracks and attach the corner brackets and corner bumpers with ST4.2x2.3 screws.

NOTE: Do not overtighten the screws.

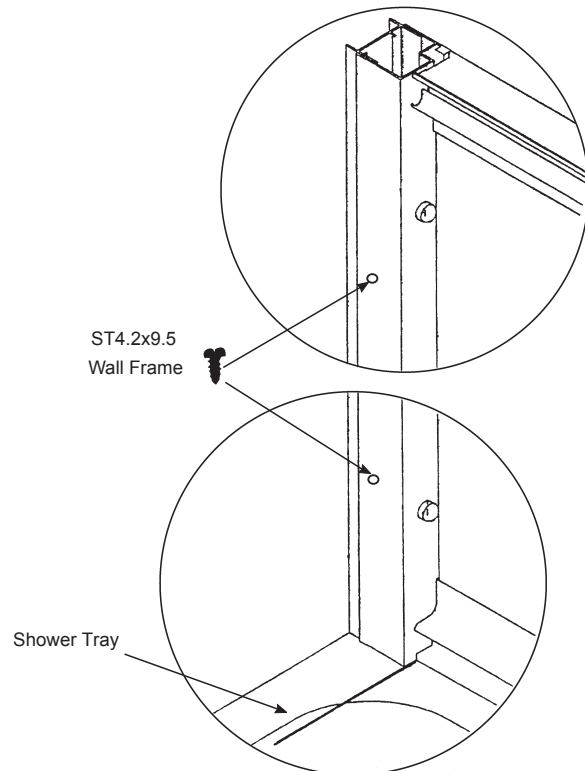


NOTE: Corner bumpers are not identical.

Top corner bumpers are marked 'T'
Bottom corner bumpers are marked 'B'

6. Fixing Panels.

USE a 3.6mm drill bit. Secure the wall frame with ST4.2x9.5 screws provided.

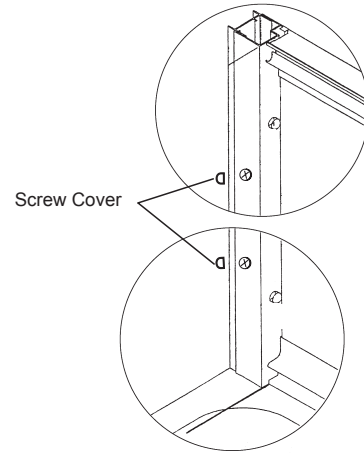
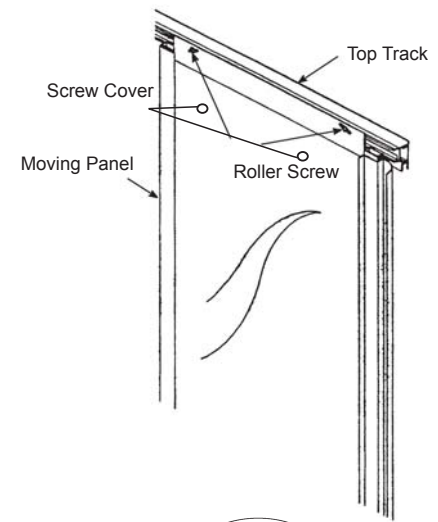


7. Testing & Adjustment of moving panels.

Slide one of the moving panels into the closed position. Slowly slide the other moving panel until the panels interlock at the corner. If panels do not close together smoothly, adjust one of the moving panels by loosening the screw(s) and tilting the panel to get a smooth fit. Retighten screws.

Should the panel bind or not glide smoothly, loosen both roller screws and lower the panel an equal amount on both sides.

After adjustment, cover the roller screws and frame screws with the covers provided.



8. Sealing the door.

CAUTION: Use only Sika Silaflex NG Silicone Sealant.

CAUTION: Apply silicone to the outside of the door only. Silicone applied to the inside of the door will cause leakage and damage.

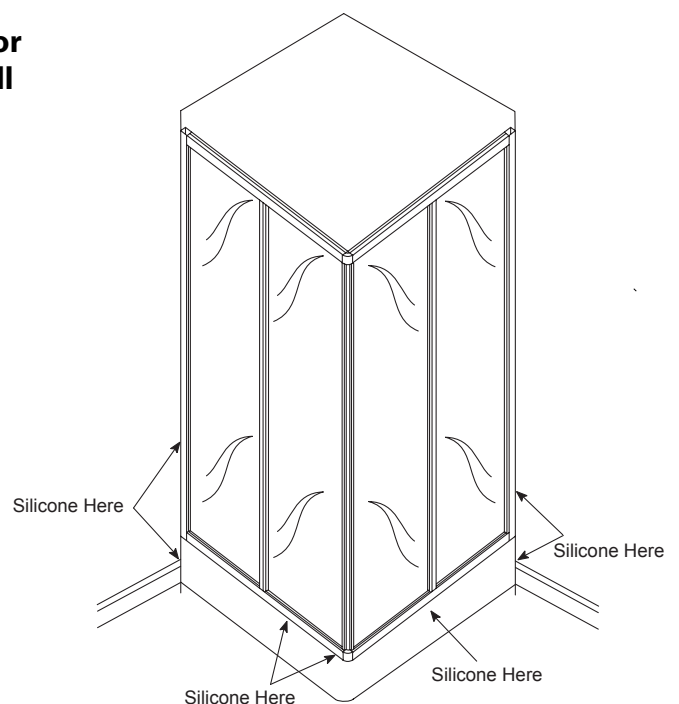
Thoroughly clean all surfaces. Remove all dust, dirt or grease from the bottom rail, retainers and shower tray.

For best results apply masking tape to within 5mm of the joints to be sealed.

Apply a bead of sealant around the outside of the door where:

1. The bottom track meets the tray.
2. The retainers meet the wall and the tray.
3. The corner brackets meet the tray.

NOTE: Allow silicone to cure 24 hours before using shower.



CLEANING INSTRUCTIONS

Use non abrasive soap and water when ever possible.

In addition you may safely use:

- Mr Muscle Shower Clean (branded as Windex Shower Clean in Australia).
- Jif Powerspray.

Avoid:

- harsh chemicals and disinfectants.
- abrasive cleaners.
- solvent based cleaners.
- acid or alkaline cleaners.
- products containing ammonia or peroxides.

Wipe out the unit after each use
to prevent build-up of scum.

Always read the label instructions on any cleaner
carefully before applying it to the surface.

Use a squeegee or dry towel to dry the glass after use.

Regularly wash down the extrusions with warm water
and mild soap solution.

Where greasy deposits are concerned, cleaning may
require a soft cloth dipped in white spirits.

Thoroughly rinse with water after cleaning to ensure
removal of all residues.

KOHLER®

CALL US FOR HELP

NEW ZEALAND

KOHLER NZ Ltd.
133 Diana Drive,
Glenfield,
Auckland.
Ph (09) 980 6800
Fax (09) 980 6899
info@kohler.co.nz
www.kohler.co.nz

AUSTRALIA

KOHLER Co.
Unit 10, 79-99 St. Hilliers Road,
Auburn,
Sydney. NSW 2144.
Ph 1300 362 284
Fax 1300 652 284
info@kohler.com.au
www.au.kohler.com