

## BEFORE YOU BEGIN

**Important:** Installation of this Vario Connector must be done in accordance with AS/NZS3500.1.

This connector must be installed with a pan collar (straight or offset). Your plumber can provide this if it is not supplied.

The Kohler Vario Pan Connector can be used for S-trap toilet pan installations. For pans with a P-trap outlet, it converts the toilet pan from a P-trap to S-trap.

Depending on the pan geometry, this Vario Pan Connector is suitable for set-outs ranging from 90mm to  $\approx 140$ mm with a 20mm offset pan collar.

Ensure to maintain a minimum of 30mm overlap between the pan spigot and the Diaphragm Seal.



**CAUTION:** The trim cut(s) must be made square to the connector. Rotating the components during trimming can help keep the cut even.

# INSTALLATION

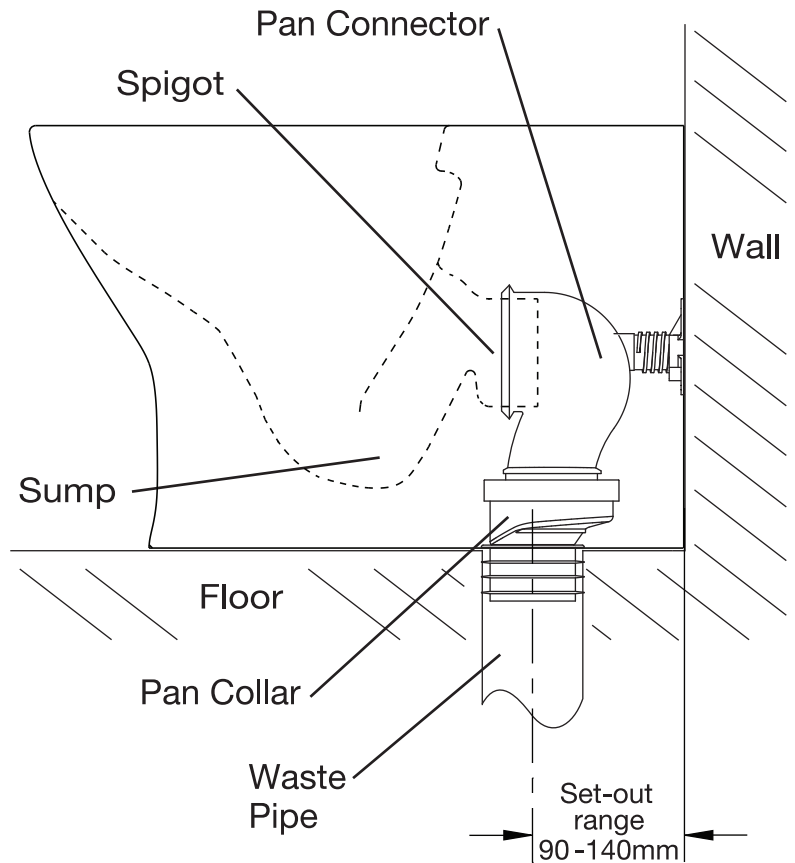
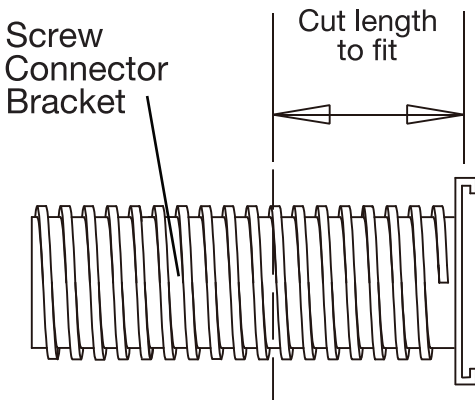
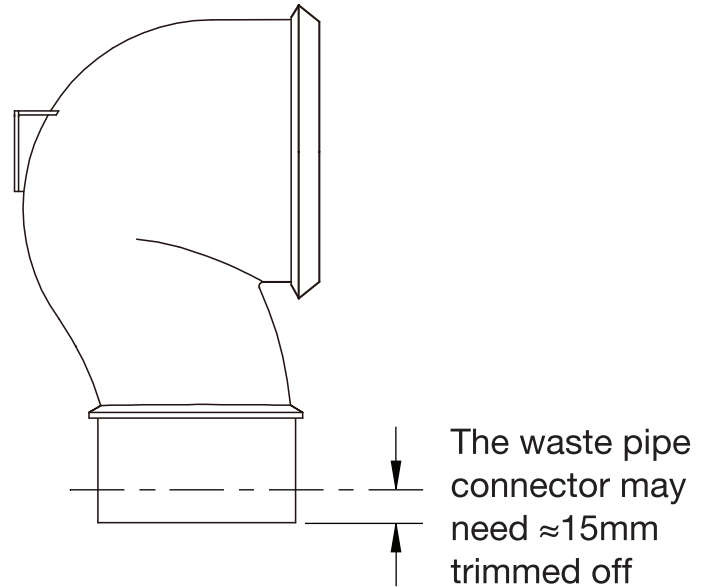
Insert the waste pipe connector into the pan collar.  
It may be necessary to trim the waste pipe connector by approx 15mm so that it fully engages the pan collar.

Check the fit of the assembled connector + pan collar between pan, wall and waste pipe.

Cut the Screw Connector Bracket to length, slot it over the mount on the rear of the Spigot Connector and attach to the wall.

Lubricate Diaphragm Seal and carefully push the toilet pan back into the Vario Connector.

Proceed with pan installation as per the instructions supplied with the toilet.



# CONTACT AND WARRANTY INFORMATION

NEW ZEALAND  
KOHLER NZ LTD  
Free Ph: 0800 564 537  
(0800 KOHLER)  
Free Fax: 0800 664 488  
[www.kohler.co.nz](http://www.kohler.co.nz)

AUSTRALIA  
KOHLER CO.  
Free Ph: 1800 564 537  
(1800 KOHLER)  
[www.kohler.com.au](http://www.kohler.com.au)