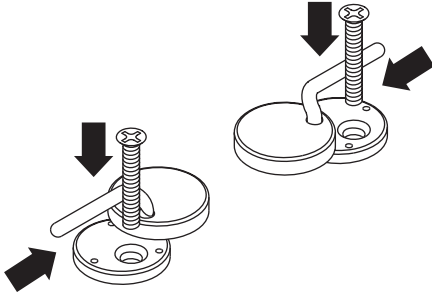




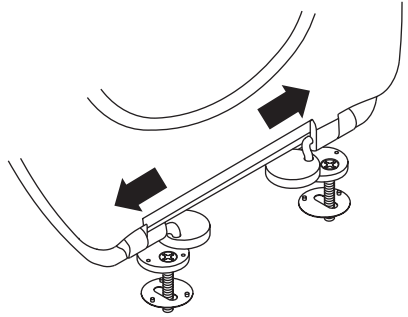
INSTALLATION GUIDE STANDARD TOILET SEAT

16998A

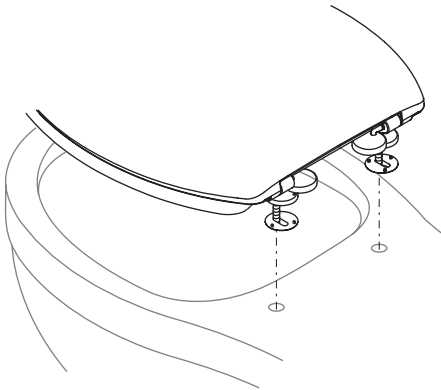
1



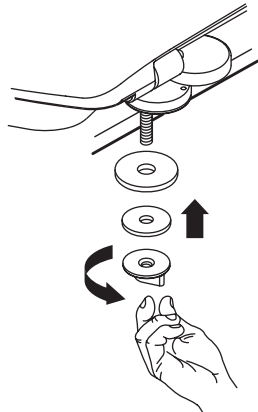
2



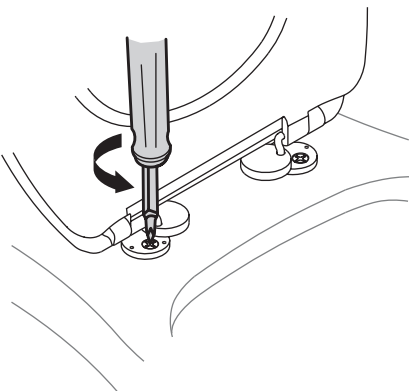
3



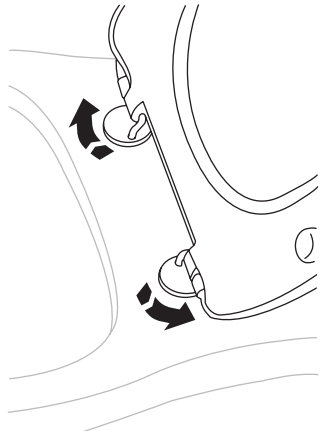
4



5



6



CARE AND CLEANING

Clean the outside surface of your toilet seat with mild soap, such as liquid dish soap and warm water. Wipe the entire surface completely dry with a clean soft cloth. Do not use any abrasive cleaners, as they will scratch and dull the surface. Avoid any detergents, disinfectants, or cleaning products in aerosol cans. Avoid contact with abrasive chemicals and cosmetics, such as fingernail polish and aftershave, as they may damage the finish of your toilet seat.

CONTACT AND WARRANTY INFORMATION

For warranty information, please visit our website

Australia
www.Englefield.com

New Zealand
www.Englefield.co.nz



CALL US FOR HELP

**NEW ZEALAND
KOHLER NZ LTD**

Free Ph: 0800 100 382
Free Fax: 0800 664 488
www.Englefield.co.nz

**AUSTRALIA
KOHLER CO.**

Free Ph: 1 800 ENGLEFIELD
(1 800 364 533)
www.Englefield.com