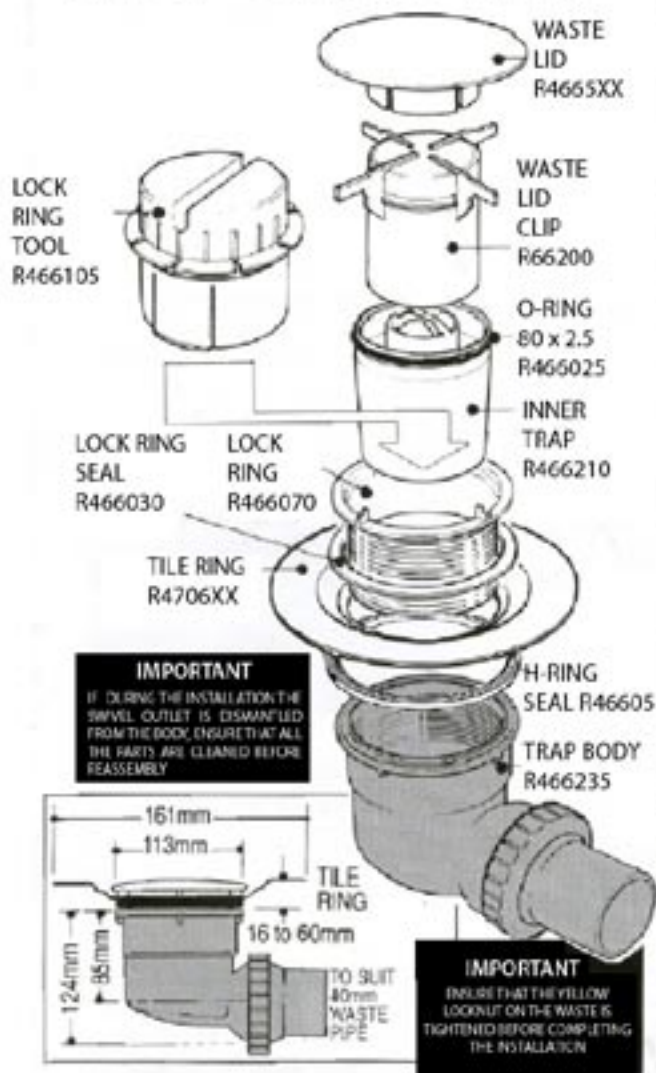


Tile Kit

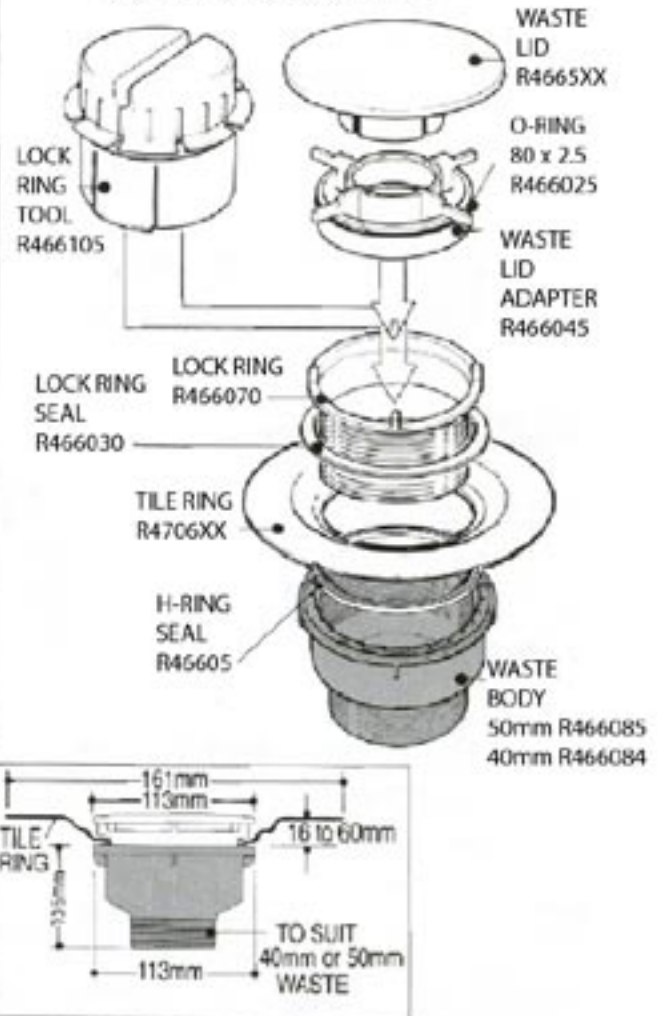
Fitting and Maintenance Instructions

EASY CLEAN TRAP



HI FLOW WASTE

(DOES NOT INCLUDE TRAP)



IMPORTANT

All installers must comply with Council and local authority By-laws. It is the responsibility of the installer to ensure that the Trap or Waste outlet is made watertight by means of a silicone sealant or caulking compound and that materials used for the installation are used in accordance with the manufacturers instructions.

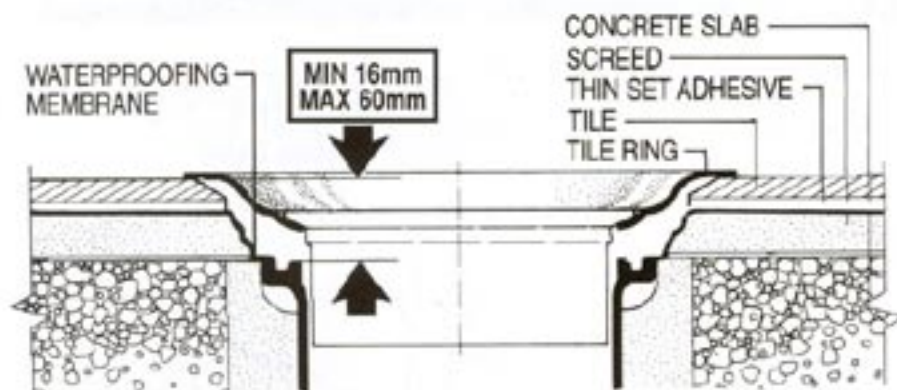
WHICH METHOD OF INSTALLATION?

2

The following illustrations show three possible methods for installing the Easy Clean Trap or Hi Flow Waste. Choose the method that best suits your particular installation.

A. CAST-IN INSTALLATION eg. concrete slab installations.

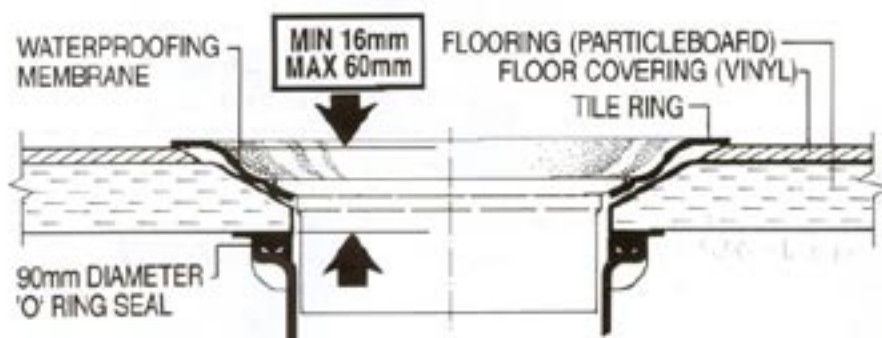
If this method meets your requirements, **GO TO PAGE 4.**



Used in "majority" of installations. When casting trap or waste into slab, care needs to be taken to ensure total thickness of screed (where required), tile adhesive and tile is in a range of 16mm to 60mm.

B. UNDER FLOOR INSTALLATION eg. vinyl floors over particle board flooring.

If this method meets your requirements, **GO TO PAGE 5.**



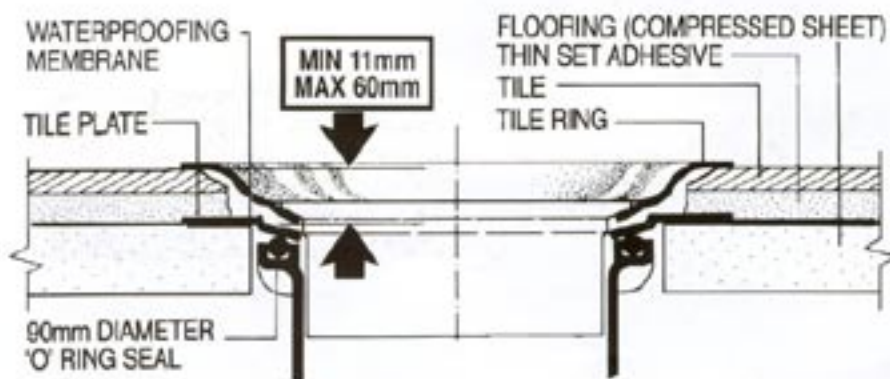
Required where floor is screeded over compressed sheet and total floor thickness including compressed sheet is in a range of 16mm to 60mm.

IMPORTANT: Waterproofing membrane must be applied to underside of floor to where trap makes contact with flooring, as well as top of floor.

C. OVER FLOOR INSTALLATION eg. compressed sheet flooring installations.

N.B. REQUIRES TILE PLATE – PLEASE ORDER SEPARATELY.

If this method meets your requirements, **GO TO PAGE 6.**



Required where floor is screeded over compressed sheet and total floor thickness including compressed sheet will exceed 60mm.

TRIMMING LOCK RING TO SIZE

3

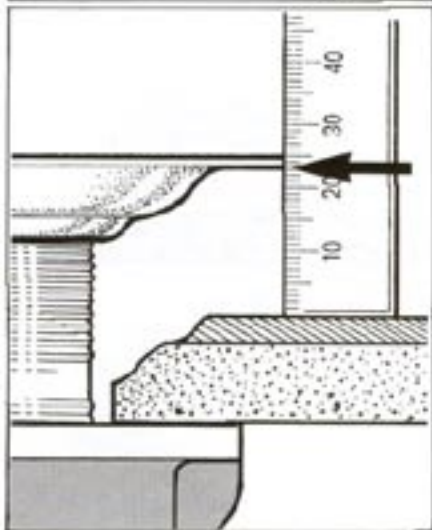
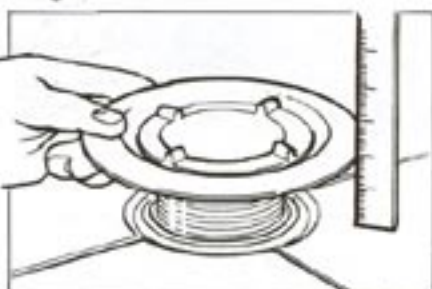
This Tile Kit has been supplied with an extra length **Lock Ring** to enable installation over a wide range of floor thicknesses. (Refer illustrations on Page 2). During installation it may be necessary to shorten the **Lock Ring** to ensure the **Tile Ring** fits snugly against the floor.

If the **Lock Ring** does require shortening please follow the following steps:

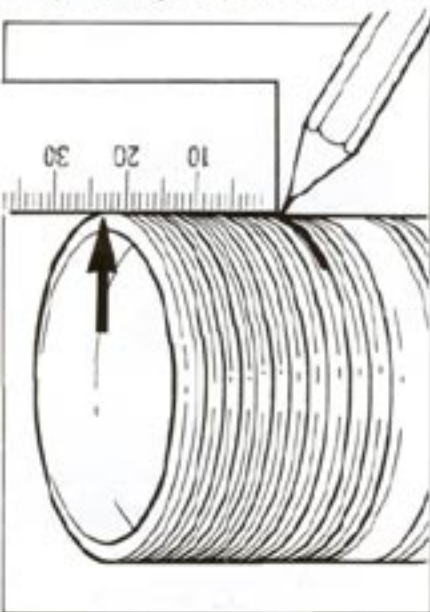
1. Having finished laying the floor, prefit the **Lock Ring** with the **Tile Ring**. Wind the **Lock Ring** down as far as possible, then wind back up one full turn.



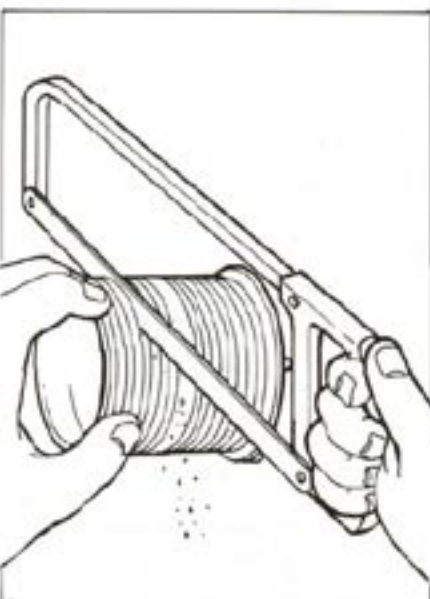
2. Lift the **Tile Ring** up as far as possible, and accurately measure the height from the floor surface to the underside of the **Tile Ring**. This will be the amount of material to be removed from the bottom of the **Lock Ring**.



3. Remove the **Lock Ring** from the installation and transfer the dimension from step 2 to the **Lock Ring** marking the position as shown.



4. Using a hacksaw, cut the **Lock Ring** at the point marked in step 3.



5. Using a sharp knife remove any swarf from the **Lock Ring**.

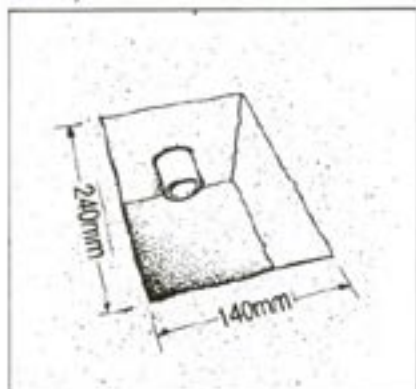


6. The **Lock Ring** will now be ready for final installation.



**NOW GO TO
INSTALLATION, PAGE 4, 5
OR PAGE 6 & CONTINUE
WITH INSTALLATION.**

1. Form a cavity in slab. For your installation, ensure P.V.C. waste pipe is positioned at the correct height to connect to outlet. (Refer dimensional information on front cover.)



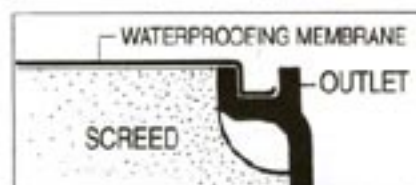
2. Connect outlet to P.V.C. waste pipe. NOTE: Ensure height to top of outlet is correctly set, for your installation, prior to step 3.



3. To keep outlet clean during installation, pre-fit lock ring, with lock ring tool. Cast outlet into place. Level off to top edge of outlet.



4. Apply an impervious fibreglass reinforced waterproofing membrane to slab to point indicated in illustration below.

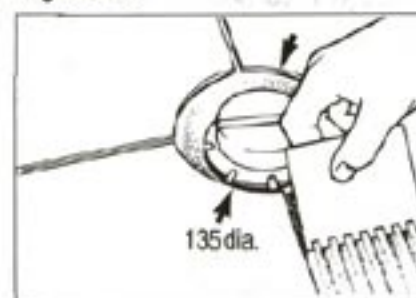


5. Where required, apply screed to slab.



6. Fix tiles to screed using a flexible thin set tile adhesive.

7. Refer to page 3 for trimming lock ring to size.



8. Pre-fit tile ring to tiles. With a soft pencil, mark around outer edge of tile ring.



9. Remove tile ring. With a suitable angle grinder, shape edge of tile, to within 3mm of pencil mark to accommodate tile ring. NOTE: Take care not to grind through waterproofing membrane. Check fit tile ring. Grout tiles using a flexible tile grout.



10. Apply a bead of mastic. Press fit tile ring to tiles.



11. Fix lock ring through tile ring to outlet, using lock ring tool to tighten firmly. Remove excess mastic. To protect outlet, keep lock ring tool in place until remainder of installation is complete.



NOW GO TO PAGE 7

1. Locate centre point of outlet. Mark 145mm dia. circle and 90mm dia. circle from centre point. Cut out 90mm dia. hole.



2. Use jig saw to rough cut chamfer on edge of hole. NOTE: Be sure to leave a minimum of 5mm of floor at bottom of hole.



3. Using a sanding disc, shape hole to 145mm dia. to accommodate tile ring. NOTE: Check fit tile ring.



4. Apply an impervious fibreglass reinforced waterproofing membrane to floor.

IMPORTANT: Be sure to waterproof both the top surface of the floor, and the area of floor directly underneath the hole, where the outlet will make contact with the floor.



5. Fix floor covering to floor. Cut excess floor covering away from hole. NOTE: Take care not to cut through impervious waterproofing membrane.



6. Fit 90mm diameter 'O' ring to outlet and locate in position under floor. Connect to P.V.C. waste pipe.



7. Refer to page 3 for trimming lock ring to size.

8. Apply a bead of mastic to flooring, and press fit tile ring to floor.

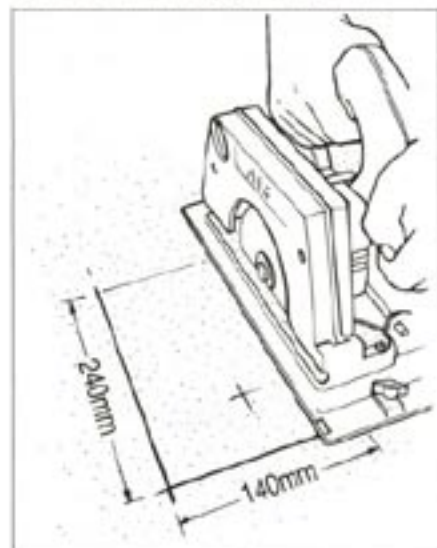


9. Fix lock ring through tile ring to outlet, using lock ring tool to tighten firmly. Remove excess mastic. To protect outlet, keep lock ring tool in place until remainder of installation is complete.



NOW GO TO PAGE 7

1. Locate centre point of outlet. Cut hole in flooring as required.



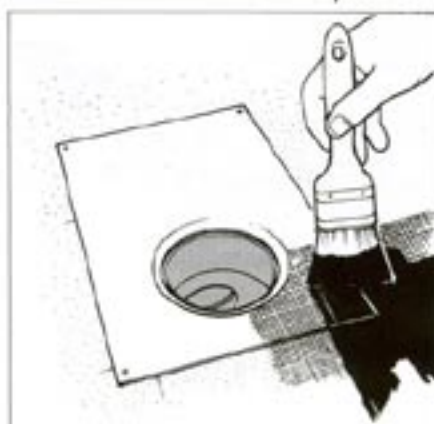
2. Locate outlet in position under floor and connect to P.V.C. waste pipe. Fit 90mm diameter 'O' ring to outlet.



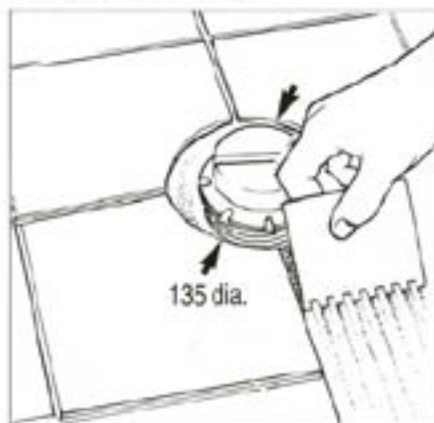
3. Locate hole in tile plate over outlet and fix tile plate to floor.



4. Apply an impervious fibreglass reinforced waterproofing membrane to floor and tile plate.



5. Fix tiles to floor using a flexible thin set tile adhesive.

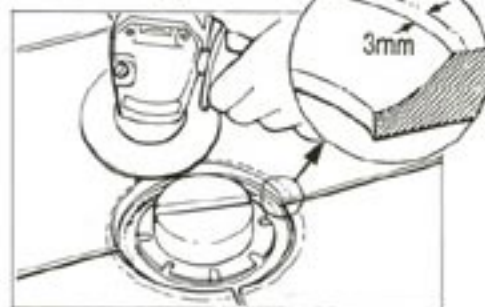


6. Refer to page 3 for trimming lock ring to size.

7. Pre-fit tile ring to floor. With a soft pencil, mark around outer edge of tile ring.



8. Remove tile ring and using a suitable angle grinder, shape edge of tile to within 3mm of pencil mark, to accommodate tile ring. Check fit tile ring. NOTE: Take care not to grind through waterproofing membrane. Grout tiles, using a flexible tile grout.



9. Apply a bead of mastic to tile. Press fit tile ring to tiles.



10. Fix tile ring to tiles. Use lock ring with lock ring tool to tighten firmly. Remove excess mastic. To protect outlet, keep lock ring tool in place until remainder of installation is complete.



NOW GO TO PAGE 7

EASY CLEAN TRAP

Align fingers on cup with slots in waste lid, then click fit together.

Press fit inner trap to lock ring.

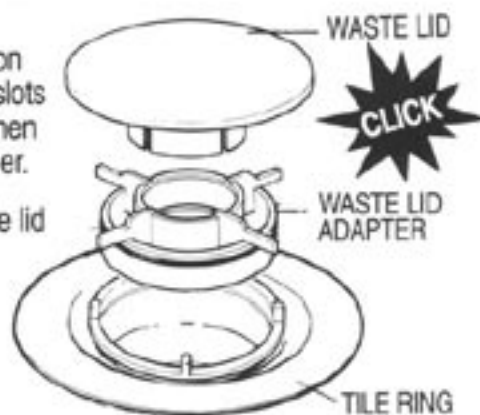
Press fit waste lid assembly and rotate until it "clicks" into place.



HI-FLOW WASTE

Align fingers on adapter with slots in waste lid, then click fit together.

Press fit waste lid assembly to outlet and rotate until it "clicks" into place.



MAINTENANCE AND CLEANING

EASY CLEAN TRAP



1. GENTLY prise WASTE LID ASSEMBLY from LOCK RING.



2. Remove INNER TRAP. Remove any obstruction then wipe clean.



3. Replace INNER TRAP, then replace and rotate WASTE LID assembly until it CLICKS into place.

HI-FLOW WASTE



1. GENTLY prise WASTE LID ASSEMBLY from LOCK RING.



2. Remove any obstruction then wipe clean.



3. Replace and rotate WASTE LID assembly until it CLICKS into place.

**SALES & SERVICE: NEW ZEALAND
KOHLER NZ LTD.**

AUCKLAND Tel: 09-444 7334 Fax: 09-444 7100
CHRISTCHURCH Tel: 03-343 0945 Fax: 03-343 0947
WELLINGTON Free ph: 0800 100 392
Freefax: 0800 664 488

**AUSTRALIA
KOHLER CO**

BRISBANE Tel: 07-32901800 Fax: 07-32904095
MELBOURNE Tel: 03-97919699 Fax: 03-97972323
SYDNEY Tel: 02-97560599 Fax: 02-97560577