

CLEANING INSTRUCTIONS

All Finishes: Clean the finish with mild soap and warm water. Wipe entire surface completely dry with a clean soft cloth. Many cleaners may contain such chemicals as ammonia, chlorine, toilet chemicals etc. which could adversely affect the finish and are not recommended for cleaning.

Do not use abrasive cleaners or solvents on Englefield tapware.

CONTACT AND WARRANTY INFORMATION

NEW ZEALAND
KOHLER NZ LTD

Free Ph: 0800 100 382
Free Fax: 0800 664 488
www.Englefield.co.nz

AUSTRALIA
KOHLER CO.

Free Ph: 1 800 ENGLEFIELD
(1 800 364 533)
www.Englefield.com

For warranty information, please visit our website

INSTALLATION
INSTRUCTIONS

TAPWARE

MILANO Kitchen Mixer

97515A-CP



BEFORE YOU BEGIN

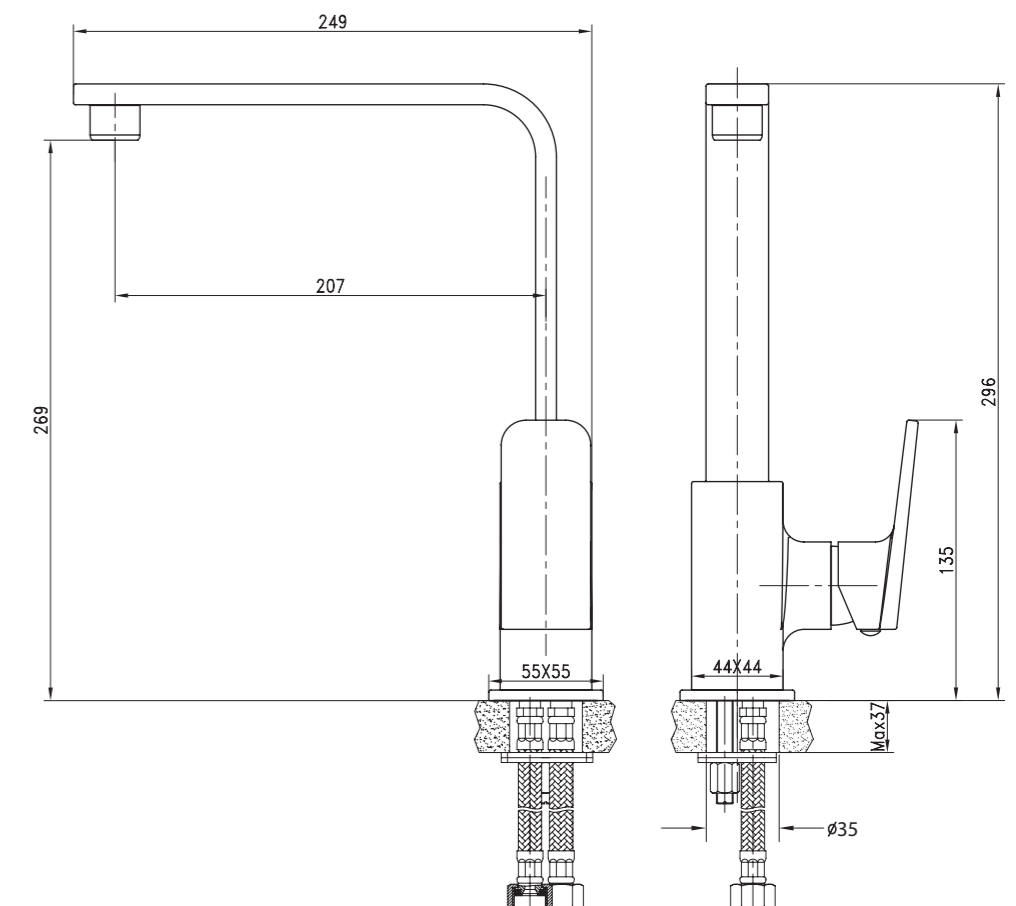
All information is based on the latest product information available at the time of publication. ENGLEFIELD reserves the right to make changes in product characteristics, packaging, or availability at any time without notice.

Please leave this installation guide for the consumer as it contains important information.

NOTES:

1. Flush the water supply pipes thoroughly to remove any debris.
2. An in-line water filter must be used with this product.
3. If possible, install this mixer before installing sink.
4. Ensure all local plumbing codes are observed.
5. Recommended working pressure: 100kPa to 500kPa.
6. Maximum working pressure: 800kPa.
7. If pressure exceeds 500kPa, a pressure limiting valve must be installed.
8. All installations should comply with the relevant requirements of AS/NZS 3500 and AS/NZS 6400.

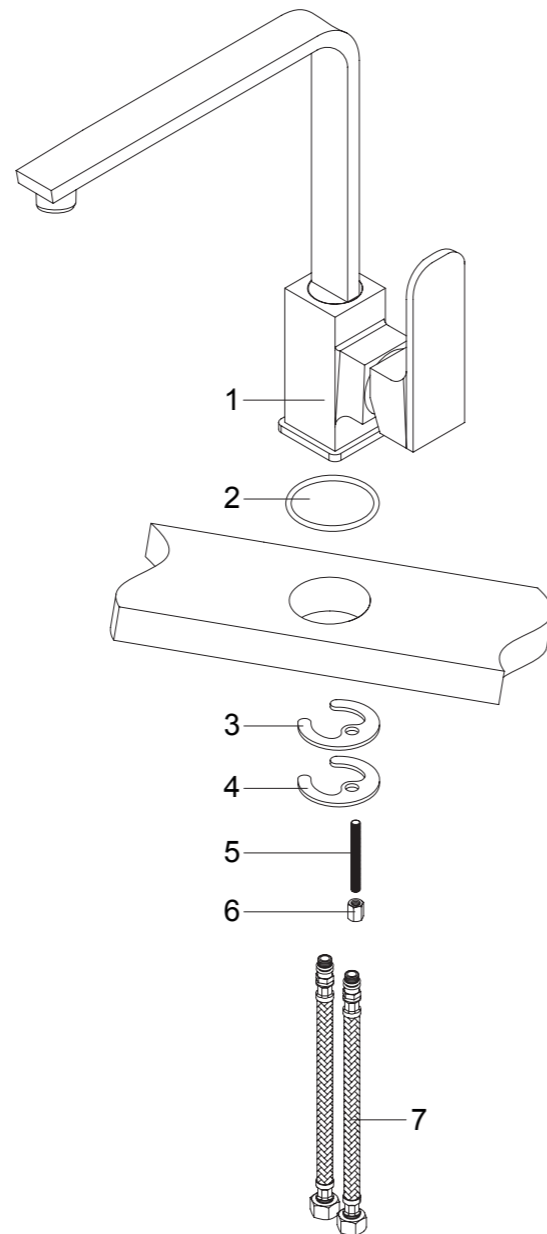
ROUGH-IN



If you are building a bathroom from scratch, giving your bathroom a makeover or just replacing an old tap, Englefield can provide a solution for you.

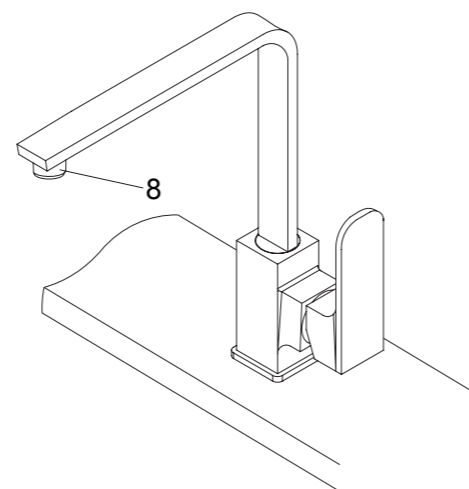
INSTALLATION

- 1.) Attach the inlet hoses(7) to the kitchen mixer body(1).
- 2.) Screw the threaded stud(5) into the mixer body and then place the O-ring(2) onto the mixer base.
- 3.) Feed the hoses through the sink hole and position the mixer in place on the sink.
- 4.) From the underside of the sink, place the rubber washer(3) on top of the mounting plate(4) and feed them over the threaded stud.
- 5.) Fit the nut(6) onto the threaded stud and tighten to secure the mixer.



INSTALLATION CHECKOUT

- 1.) Ensure that all connections are tight. Ensure that the handle is in the off position.
- 2.) Open the sink drain as necessary. Turn on main water supply and check for leaks. Repair as required.
- 3.) Remove aerator(8). Turn on the kitchen mixer. Run hot and cold water through spout for about one minute to remove any debris. Remove any debris from aerator. Shut off the sink mixer and reinstall aerator.



SPARE PARTS LIST

No.	Description	Part No.
1	Button	1250283-CP
2	Screw	1250342
3	Handle	1250305-CP
4	Bonnet	1250279-CP
5	Nut	1250281
6	Cartridge	1250276
7	Button	1250283-CP
8	Screw	1250341
9	Flow Regulator	1250296
10	Ring	1250340
11	O-ring	1250335
12	Ring	1250339
13	Gasket	1250338
14	Spout	1250337-CP
15	Washer	1250287
16	Aerator	1250297
17	Aerator Shell	1250291-CP
18	Inlet Hose	1250270
19	Mounting Kit	1250271

