

# BEAUTIFUL BATHROOMS FROM ENGLEFIELD



Trusted in New Zealand  
Since 1982



**NEW  
STONE TOP  
VANITIES**

**NEW REMOTE  
CONTROL  
BIDET SEAT**

# WELCOME

## ENGLEFIELD

### OFFERS THE TOTAL BATHROOM SOLUTION

Whatever the style and features you are looking for, the range in this catalogue will give you the freedom to create a bathroom to fit both your taste and your budget.

Englefield offers you a comprehensive collection of bathroomware so you can maintain consistency with your design. The Englefield range ensures you have a range of choices that work together to create a fully integrated look.

Front cover features: Valencia Elite black frame corner sliding shower with black Studio Pin tapware; Studio II freestanding bath with Studio Pin black mixer/Studio black bath spout; Marquina Black stone top Valencia Elite 1200mm vanity



## HELP SAVE THE WHIO

Englefield has announced an ongoing awareness and support campaign, where we will help raise funds for the Central North Island Blue Duck Trust.

Our aim is to try and help save one of New Zealand's most loved but endangered species, the Whio. For more information and to donate please go to [www.Englefield.co.nz](http://www.Englefield.co.nz)

## SHOWERS

02

Corner Contour PLUS Shower Walls	04	Valencia Elite Round Sliding Showers	21
Side Recessed Shower Walls	05	Valencia Elite Rondo Shower	23
Side Recessed Bath Walls	06	Sapphire Features Up Close	25
Corner Contour PLUS Bath Walls	06	Sapphire Square Corner Shower	25
Milano Features Up Close	08	Sapphire Round Sliding Shower	26
Milano Corner Pivot Showers	08	Sapphire Alcove Shower	26
Milano Alcove Pivot Showers	09	Shower Walls and Trays	27
Valencia Elite Features Up Close	12	Englefield Easy Clean Wastes	27
Valencia Elite Corner Pivot Showers	13	Tile and Door/Return Set Options	27
Valencia Elite Corner Sliding Showers	15	Englefield Shower Door Tests	28
Valencia Elite Alcove Pivot Showers	17	10 Year Warranty	28
Valencia Elite Alcove Sliding Showers	19	Shower Measurements	29
Valencia Elite Angle Corner Pivot Shower	20		











# ENGLEFIELD KITCHEN SINKS & TAPWARE

## STUDIO PIN™

### Kitchen Mixer

Pin Lever



AS/NZS 3718  
WM-022483

Matte Black  
finish

## STUDIO™

### Kitchen Mixer



AS/NZS 3718  
WM-022483

## SORRENTO™

### Kitchen Mixer



AS/NZS 3718  
WM-022483

AS/NZS 3718  
WM-022483



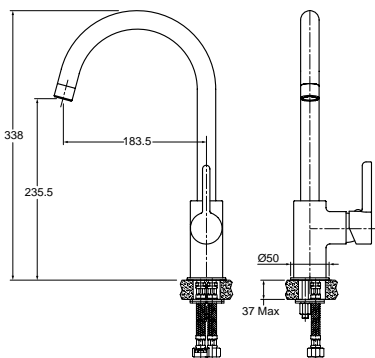
Available finishes



The Studio tapware range features a pin lever handle and is available in two different finishes: polished chrome and matte black.

- t Tap Height: 338mm.
- t Spout Reach: 183.5mm.
- t 360° swivel spout.
- t A choice of two hardwearing finishes.
- t Easy to install.
- t Suitable for mains pressure.
- t 4 Star WELS, 7.5L/min.

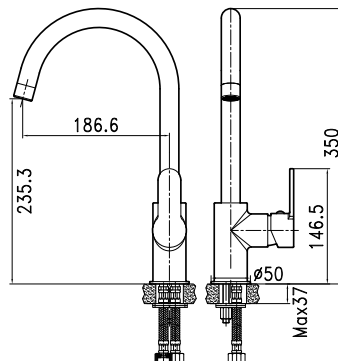
NZ: RRP from: **\$229** AU: RRP from: **\$167**



This round geometric tapware range is finished in polished chrome and is easy to install.

- t Tap Height: 350mm.
- t Spout Reach: 186.6mm.
- t 360° swivel spout.
- t Hardwearing polished chrome.
- t Easy to install.
- t Suitable for mains pressure.
- t 4 Star WELS, 7.5L/min.

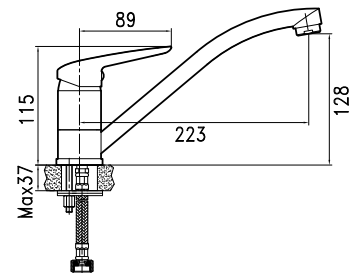
NZ: RRP from: **\$229** AU: RRP from: **\$181**



This contemporary tapware range with traditional undertones is both good looking and robust. Sleek and hardwearing, it is finished in polished chrome and is easy to install.

- t Tap Height: 115mm.
- t Spout Height: 128mm; Reach: 223mm.
- t Swivel spout for greater movement.
- t Hardwearing polished chrome.
- t Easy to install.
- t Suitable for mains pressure.
- t 4 Star WELS, 7.5L/min.

NZ: RRP from: **\$209** AU: RRP from: **\$159**



#### PRODUCT CODE

Studio kitchen mixer – Polished Chrome	97532A-4-CP
Studio kitchen mixer – Matte Black	97532A-4-BL

For Studio Pin bathroom tapware see page 80.

#### PRODUCT CODE

Studio kitchen mixer	97532A-CP
----------------------	-----------

For Studio bathroom tapware see page 81.

#### PRODUCT CODE

Sorrento kitchen mixer	97544A-CP
------------------------	-----------

For Sorrento bathroom tapware see page 83.



# History

## About KOHLER and Englefield



### The year was 1873

An unlikely time to start a new business in America. A financial panic had begun in September of that year, followed by a depression that affected the national economy for the next five years. Despite the economic uncertainties of the day, John Michael Kohler purchased the Sheboygan Union Iron and Steel Foundry, never anticipating the growth of the company that would eventually bear his name.

The firm produced cast iron and steel implements for farmers in the area, castings for the city's furniture factories, and ornamental iron pieces that included hitching posts, cemetery crosses, urns and settees.

In 1883 John Michael took a product in his line called a horse trough/hog scaldler, heated it up to 930 degrees Celsius and sprinkled on some enamel powder. He liked it so much he pictured it in his catalog, calling it "a horse trough/hog scaldler, when furnished with four legs will serve as a bathtub." Kohler was in the plumbing business.

Like Kohler, many of the early employees were immigrants. Steeped in a heritage of European craftsmanship, they were eager to achieve success in their new country. Their dedication to excellence helped to forge one of the oldest and largest privately-held companies in the United States; a company that has grown to international stature with 30,000 associates worldwide. From potteries in Mexico and China, to showrooms in Japan and France, KOHLER ideas, craftsmanship and technology are at work today leading the way to more gracious living in plumbing products, exquisite furniture, engines and generators, hospitality and real estate.

KOHLER purchased Englefield in 2001. Englefield

were market leaders in showering and bathing products. KOHLER added vitreous china products to their range – toilet suites and basins, so completing Englefield's Total Bathroom Solution.

**148**  
— YEARS —  
**KOHLER**®





# ENGLEFIELD THE TOTAL BATHROOM SOLUTION



Trusted in New Zealand Since 1982

TRY OUR ONLINE BATHROOM PLANNERS:

[englefield.co.nz/onlineplanner](https://englefield.co.nz/onlineplanner)  
[englefield.com/onlineplanner](https://englefield.com/onlineplanner)

## NEW ZEALAND

**PHONE** 0800 100 382  
**FAX** 0800 664 488  
**EMAIL** [info@englefield.co.nz](mailto:info@englefield.co.nz)  
**WEBSITE** [englefield.co.nz](https://englefield.co.nz)  
**ADDRESS** 133 Diana Drive, Glenfield, Auckland.

## AUSTRALIA

**PHONE** 1 800 ENGLEFIELD  
(1800 364 533)  
**EMAIL** [info@englefield.com](mailto:info@englefield.com)  
**WEBSITE** [englefield.com](https://englefield.com)  
**ADDRESS** PO Box 154, Clifton Hill, VIC 3068.

PART No. J10080NZ JULY 2021

Kohler Co. reserves all rights to alter design material and specifications without notice. WARNING: Products in this brochure are subject to Intellectual Property Protection. All dimensions given are approximate only and should be checked prior to installation. Product colour reproduction is as near to actual colour as printing methods allow. For warranty information, please visit [englefield.co.nz](https://englefield.co.nz) or [englefield.com](https://englefield.com)

© Copyright 2021 by Kohler Co. ® Registered Trademarks

[englefield.co.nz](https://englefield.co.nz) | [englefield.com](https://englefield.com)