

Valencia™ 600mm Vanity

Perfect when space is at a premium, this compact unit still provides good storage space, and a full sized, generous bowl.



Floor standing



Wall hung

Features

- Floor-standing or wall-hung.
- 3 colour options.
- Optional coloured insert strips for white cabinet.
- Single integrated bowl with overflow.
- One pre-drilled tap hole.
- Two spacious soft-close drawers for storage.
- Moisture resistant exterior.
- Fully enclosed rear for easy installation.

Colour/Finish Options

- Top:  White
- Cabinet:  White  Salty Elm  Scorched Oak
- Inserts:  Double Silver  Salty Elm  Scorched Oak

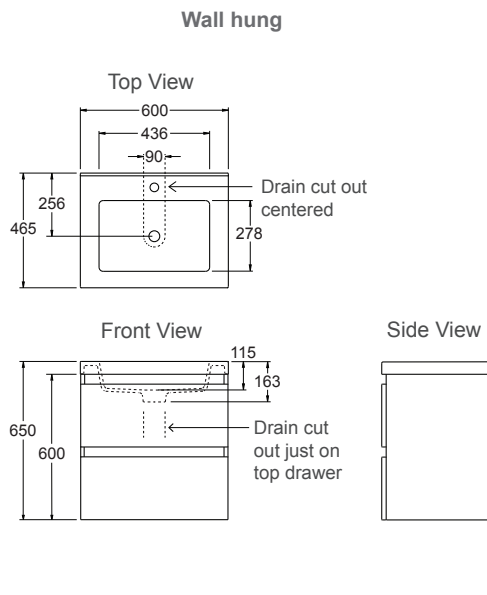
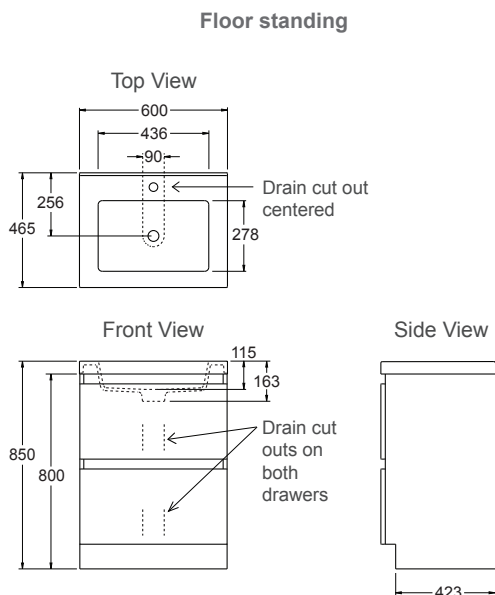
Material

- Top: Hardwearing Durastone™.
- Cabinet: Particle board.
- External surfaces: High gloss polyurethane paint (White) or timber look laminate (Salty Elm & Scorched Oak).

Included Components

- Vanity cabinet.
- Vanity top.
- Chrome overflow cover.

Technical Details



Product Codes				
600 mm Vanity	Floor Standing	Wall Hung	Optional Inserts (For white vanity only)	
White	99227A-0	99226A-0	Double Silver	99765A-0
Salty Elm	99227A-LW	99226A-LW	Salty Elm	99773A-0
Scorched Oak	99227A-DW	99226A-DW	Scorched Oak	99769A-0



Trusted in New Zealand Since 1982

New Zealand

133 Diana Drive, Glenfield, Auckland, New Zealand
 PO Box 100-146 NSMC, Auckland, 0745
 Ph: 0800 100 382 Fax: 0800 66 44 88
 www.Englefield.co.nz

All measurements shown are in millimetres.
 Sizes are approximate.